



Fiber Solution

NetWaySP4PX

4-port Ethernet to Fiber Media Converter
with Integral Power Supply/Charger
for Composite Fiber (Powered) Cable

Installation Guide



More than just power.™

DOC#: NETSPX Rev. 032620

Installing Company: _____ Service Rep. Name: _____

Address: _____ Phone #: _____

Table of Contents:

Overview	pg. 3
Features	pg. 3
Installation Instructions	pg. 3
Recommended Altronix SFP Modules	pg. 4
Typical Applications	pg. 5
Technical Specifications	pg. 6
Mounting Options	pg. 8

Overview:

Altronix NetWaySP4PX Media Converter with Integral Power, provides four (4) 1Gb SFP ports and four (4) ports for up to 120W per port (480W total) to be transmitted over single/multi-mode fiber or composite cable (powered) cable (fiber + copper combined) to NetWay Spectrum PoE Hardened Switches.

Features:

Agency Listings:

- CE European Conformity.

Input:

- 115VAC, 60Hz, 5.5A or 230VAC, 50/60Hz, 3A (auto-ranging).

Power:

- Four (4) 56VDC non power-limited outputs up to 120W max. full power per port. Total power: 480W.
- Short circuit protection.

SFP Ports:

- Four (4) Gigabit SFP/Fiber ports.
- Use with SFP module 1000Base-X (1Gb), compliant to Class 1 laser product (not included).

Ethernet/Data:

- Four (4) Gigabit (1000Mbps) ports to switch.
- Wire type: 4-pair CAT5e and higher.
- Connectivity: RJ45, auto-crossover.
- Speed: Gigabit (1000Mbps).
- Distance: up to 100m.

Environmental:

- Refer to Environmental Conditions on page 6.

Battery Backup:

- Built-in battery charger (optional rack mount battery enclosure - RE2).
- Automatic switchover to stand-by battery when AC fails.

Compatible PoE Hardened Switches

and Accessories:

- NetWaySP1BTWPN: 3-port (802.3bt) PoE Hardened Switch with (1) SFP port.
- NetWaySP3WPN: 3-port PoE Hardened Switch with (1) SFP port.
- NetWay4EWPN: 4-port PoE Hardened Switch with (1) SFP port.
- NetWay4E1WPN: 4-port PoE Hardened Switch with (1) SFP port.
- NetWaySP4WPN: 4-port PoE Hardened Switch with (2) SFP ports.
- NetWaySP41WPN: 4-port PoE Hardened Switch with (2) SFP ports.
- NetWaySP4BTWPN: 4-port (802.3bt) PoE Hardened Switch with (2) SFP ports.
- NetWaySP8WPN: 8-port PoE Hardened Switch with (2) SFP ports.
- NetWaySP2PWPN: 1-Port Fiber, 2-Port PoE+ Hardened Switch
- RE2: Rack Mount Battery Enclosure accommodates up to four (4) 12VDC/7AH batteries

Installation Instructions:

Wiring methods shall be in accordance with the National Electrical Code (ANSI/NFPA70), local codes, and the authorities having jurisdiction. NetWaySP4PX is not intended to be connected to outside plant leads. These products are for indoor use only and must be installed within the protected premises.

NetWaySP4PX must be installed in a restricted access area. If battery bracket is removed, must be installed in a restricted access area (Fig. 1b, pg. 3).

The outputs are of a non-limited power source.

For non-limited power sources, additional protective circuitry and/or an appropriate fire enclosure for the products supplied by this device are required.

1. Attach mounting brackets to the unit for rack or wall mount installation (Fig. 4 or 5, pg. 8).

Affix rubber pads to the unit for shelf installation (Fig. 6, pg. 8).

2. Secure the unit in a rack or on a wall, or place unit on a shelf as desired.

Note: The following factors should be taken into consideration when installing these rack mount units:

- a. The unit is to be installed in a space where the maximum ambient temperature does not exceed 104°F (40°C).
- b. Take care to ensure that there is sufficient air flow around the unit and that obstructions do not impede it.
- c. When mounting units in a rack, take care to avoid uneven loading which can cause a hazardous condition.

Fig. 1a

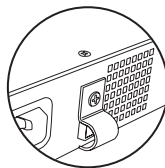
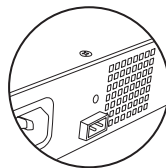


Fig. 1b



3. Plug the grounded AC line cord (included) into the IEC 320 connector of the unit (Fig. 2f, pg. 4). Plug unit into a reliable earth grounded socket. When using multiple units, the sum of the individual name plate ratings should not exceed the supply circuit rating. **Do not connect to a receptacle controlled by a switch.**
4. Connect structured cable from ethernet switch/NVR (network video server) to RJ45 jack marked [Ethernet 1-4] (Fig. 2e, pg. 4).
Note: All cabling and wire must be UL Listed and/or Recognized wire suitable for their application.
5. Connect Composite (Powered) Fiber cable: fiber portion to port marked [SFP 1-4], copper portion connects to output marked [OUT 56VDC, 1-4] (Fig. 2b & 2d, pg. 4).
6. Connect opposite end of Composite (Powered) Fiber cable: fiber portion to SFP port on NetWay Spectrum Hardened Switch, copper portion connects to power input of NetWay Spectrum Hardened Switch, **carefully observing correct polarity** (Refer to respective NetWay Spectrum PoE Switch Installation Guide).
7. When the use of stand-by batteries is required, they must be sealed lead acid or gel type. Use 14 AWG or larger for all power connections. Connect four (4) 12VDC batteries in series to terminals marked [+ BAT -] (Fig. 2h, pg. 4). **Note:** When batteries are not used, a loss of AC will result in a loss of output voltage.

Recommended Altronix SFP Modules:

Altronix P1MM, P1SM10, P1AB2K and P1GCE are hot-pluggable SFP fiber transceiver modules and are readily usable with all Altronix Spectrum fiber optic equipment for 1Gb transmission rates.

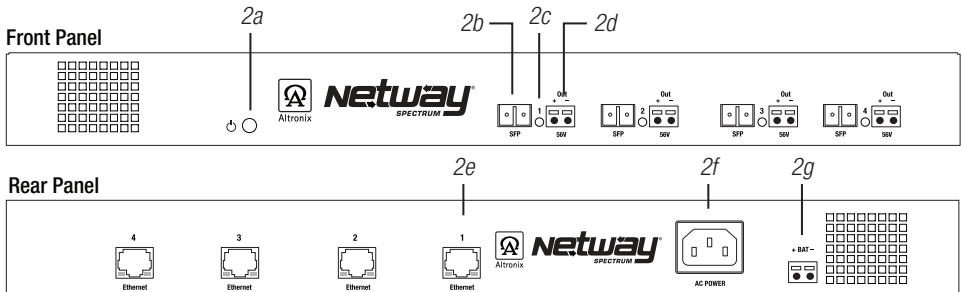
P1MM - For use with Multi-Mode Fiber for distances up to 550m.

P1SM10 - For use with Single-Mode Fiber for distances up to 10km.

P1AB2K - For use with Single Strand Single-Mode Fiber for distances up to 2km.

P1GCE - For use with CAT5e or better for distances up to 100m.

Fig. 2



2a LED indicates AC Power is present.

2b 1Gb SFP port.

2c LED indicates fiber link.

2d 120W max output (480W total power)

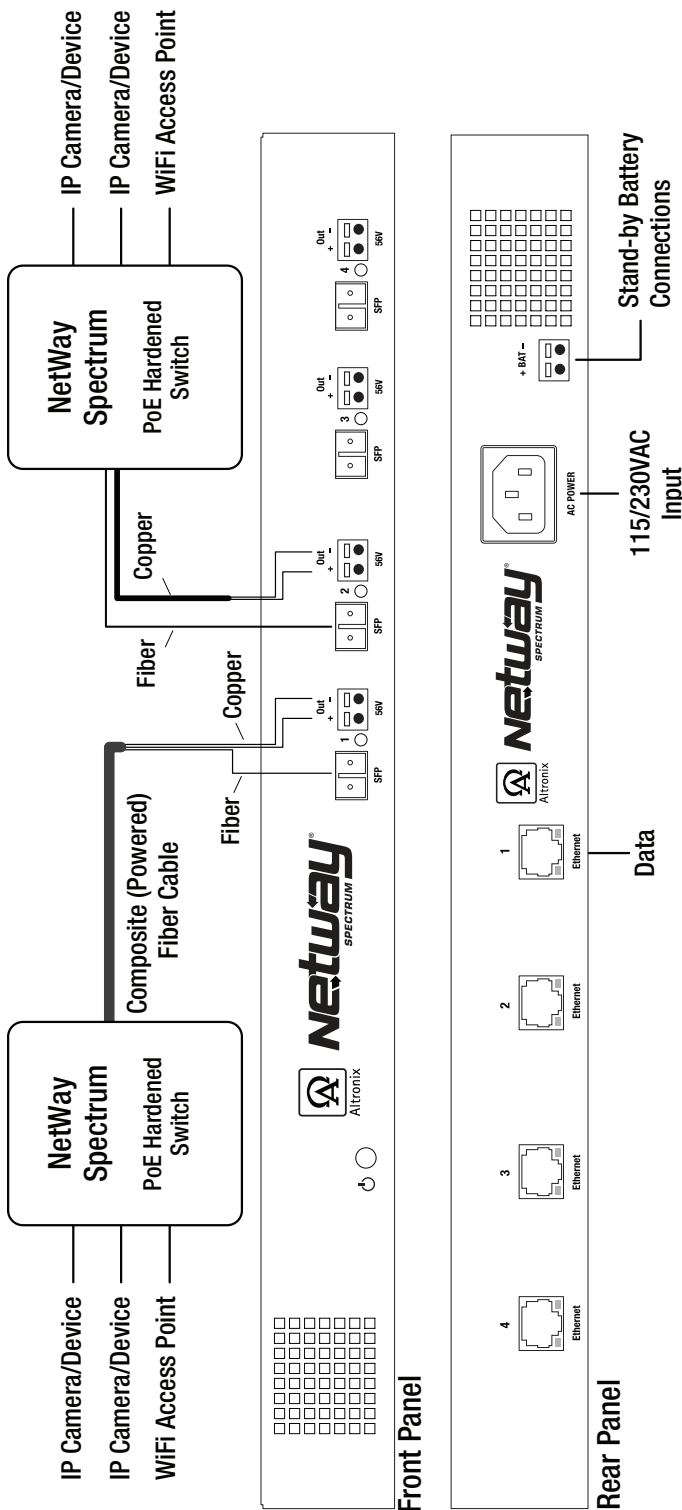
2e RJ45 connects to switch

2f IEC 320 Connector: 115/230VAC (grounded line cord included).


2g Built-in battery charger: Charges stand-by batteries for applications requiring back-up.
 (Optional rack mount battery enclosure available - RE2)

Fig. 3

Typical Application:



Technical Specifications:

Parameter	Description
Number of Ports	Four (4) Gigabit SFP Ports and Four (4) Gigabit (1000Mbps) Ethernet Ports.
Power Outputs	Four (4) 56VDC non power-limited outputs 120W max (480W total).
Input power requirements	115VAC, 60Hz, 5.5A or 230VAC, 50/60Hz, 3A.
Environmental Conditions	Operating Ambient Temperature (120W): – 40°C to 50°C (– 40°F to 122°F) Relative Humidity: 85%, +/- 5% Storage Temperature: – 40°C to 85°C (– 40°F to 185°F). Operating Altitude: – 304.8 to 2,000m.
Regulatory Compliance	 CE European Conformity.
Weights (approx.)	Product: 3.8 lbs. (1.7kg) Shipping: 6.0 lbs. (2.7kg)



The lightning flash with arrowhead symbol within an equilateral triangle is intended to alert the user to the presence of an insulated DANGEROUS VOLTAGE within the product's enclosure that may be of sufficient magnitude to constitute an electric shock.



The exclamation point within an equilateral triangle is intended to alert the user to the presence of important operating and maintenance (servicing) instructions in the literature accompanying the appliance.



CAUTION
RISK OF ELECTRIC SHOCK
DO NOT OPEN



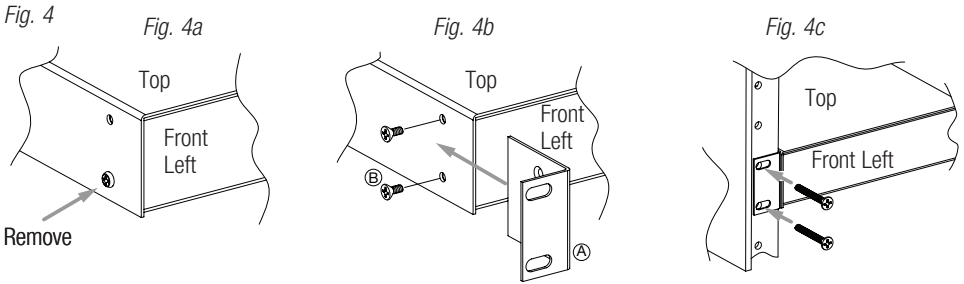
CAUTION: To reduce the risk of electric shock do not open enclosure. There are no user serviceable parts inside. Refer servicing to qualified service personnel.

Notes:

Mounting Options:

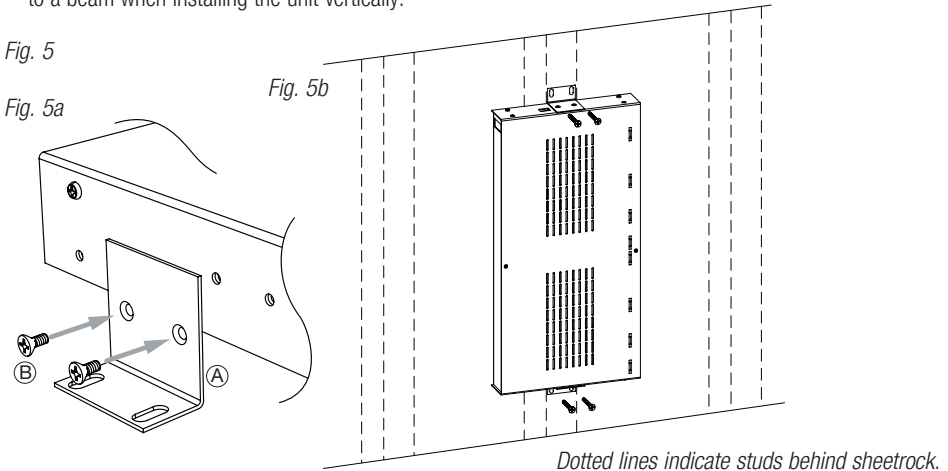
Rack Mount Installation

1. Remove and discard factory installed screws from both sides of rack chassis (Fig. 4a).
2. Install mounting brackets (A) on the left and right side of rack chassis using the four (4) flat head screws (B) (included) (Fig. 4b).
3. Place unit into desired EIA 19" rack position and secure with mounting screws (not included) (Fig. 4c).



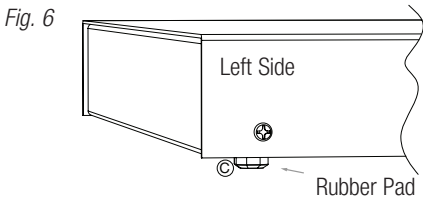
Wall Mount Installation

1. Install mounting brackets (A) on the left and right side of rack chassis using four (4) flat head screws (B) (included) (Fig. 5a).
 2. Place unit at desired location and secure with #6 size screws or larger (not included) (Fig. 5b).
- Caution:** It is necessary to make sure mounting screws are securely fastened to a beam when installing the unit vertically.

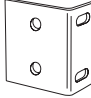




Shelf Installation

1. Position and affix rubber pads (C) (included) at each corner on the bottom of the unit (Fig. 6).
2. Place unit in desired location.



Mounting Hardware (Included):

-  (A) Two (2) mounting brackets
-  (B) Six (6) flat head screws for mounting brackets.
-  (C) Four (4) rubber pads.

Altronix is not responsible for any typographical errors.

140 58th Street, Brooklyn, New York 11220 USA | phone: 718-567-8181 | fax: 718-567-9056
 website: www.altronix.com | e-mail: info@altronix.com | Lifetime Warranty
 IINetWaySP4PX D23X

